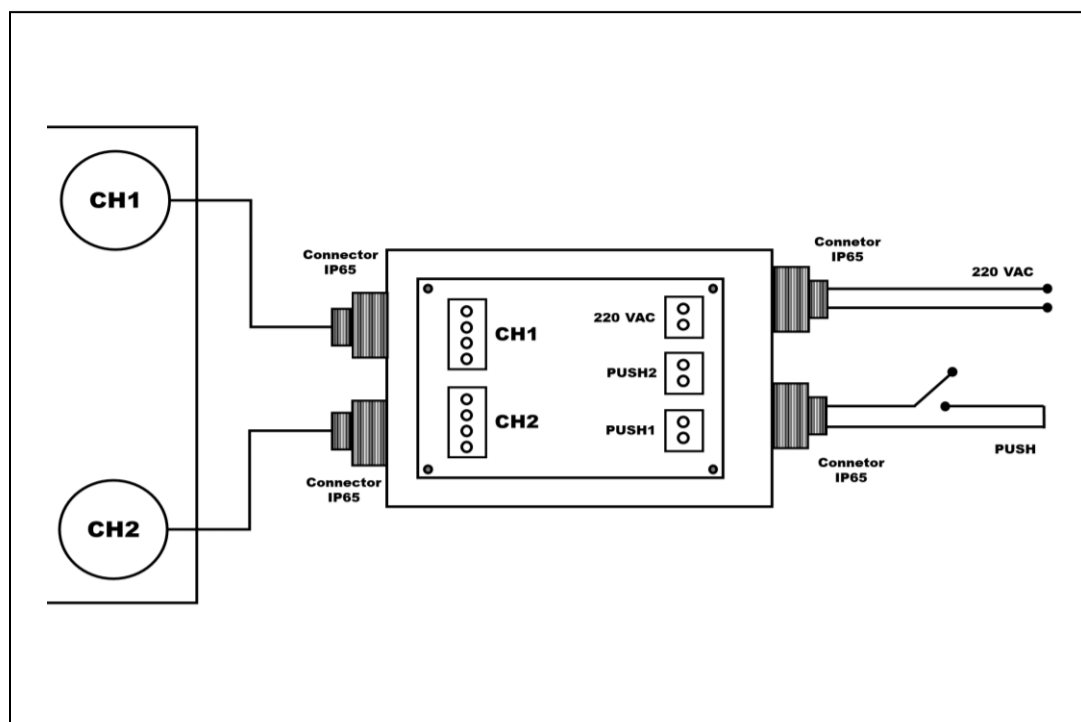


This document is exclusive of TECNO LIGHTING ITALIA Srl, it is absolutely forbidden to disclose and reproduce even partial, as well as use without written consent of TECNO LIGHTING ITALIA Srl itself. The company reserves the right to modify the models, dimensions and materials at any time without prior notice.

DIGI CONTROL DALI BOX IP65



DESCRIPTION

DALI-compatible interface

Control by conventional pushbuttons, with or without memory:

PUSH 1

- Short press (click): **switch ON/OFF**
- Long press (1-2 seconds): **color temperature variation (color mixing) / Circadian lighting**

PUSH 2

- Short press (click): **switch ON/OFF**
- Long press (1-2 seconds): **CH1 channel Dimming up/down**
- Short press (click) followed by a long press (1-2 seconds): **CH2 channel Dimming up/down**

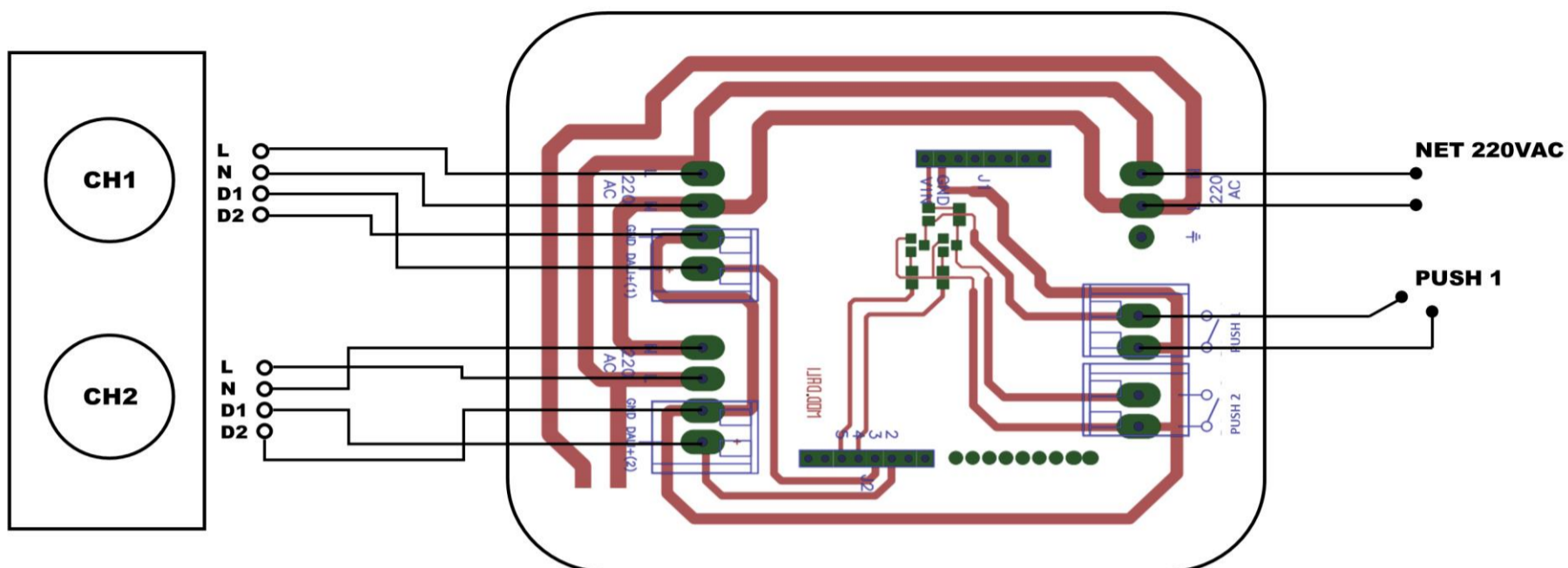
Flush-mounting into junction box

TECHNICAL FEATURES

| | |
|-------------------------------|----------------------------------|
| Power Supply | 230V~ 50/60Hz |
| Consumption | < 5,8W |
| Type of Load | DALI Driver |
| DALI Signal | 16V Synchronized |
| Outputs | 1 channel / 1 group |
| Dimming range | 0, 10% ~ 100% |
| Control | Non-Lighted Pushbuttons |
| Maximum Number of Pushbuttons | Unlimited (non-lighted ones) |
| Dimensions | 150 x 110 x 70mm |
| Working Temperature | 0°C ~ +40°C |
| Environmental Protection | IP65, according to EN60529 |
| Terminals | Cables of up to 6mm ² |
| According to the Standard | EN60669-2-1 |

This document is exclusive of TECNO LIGHTING ITALIA Srl, it is absolutely forbidden to disclose and reproduce even partial, as well as use without written consent of TECNO LIGHTING ITALIA Srl itself. The company reserves the right to modify the models, dimensions and materials at any time without prior notice.

**WIRING DIAGRAM
PUSH 1 - CIRCADIAN LIGHTING**



**WIRING DIAGRAM
PUSH 2 - DIMMING**

